

AT-FM-10K Two-Hand Control Module



Datasheet

DUO-TOUCH® SG, for use with two actuating devices

Original Instructions



- Diverse-redundant microcontrollers
- Monitors two Banner STB Self-Checking Optical Touch Buttons, or two mechanical push buttons
- Two redundant, forced-guided (mechanically linked) output contacts rated at 6 A
- Feedback input monitors external machine control elements
- 5 indicator LEDs for Power, Fault, Input 1, Input 2 and Output
- 24V ac/dc operation
- DIN-rail-mountable 22.5 mm-wide housing with removable terminal blocks
- 500 ms (max.) simultaneity requirement for touch-/push button operation

Important . . . Read This Before Proceeding!

It is the responsibility of the machine designer, controls engineer, machine builder and/or maintenance electrician to apply and maintain this product in full compliance with all applicable regulations and standards. The product can provide the required safeguarding function only if it is properly installed, properly operated, and properly maintained. This manual attempts to provide complete installation, operational, and maintenance instruction. *Reading the manual completely is highly recommended.* Please direct any questions regarding the application or use of the product to a Banner Engineering Applications Engineer at the locations listed in this document.



WARNING: User Responsibility

The user is responsible for ensuring that all local, state, and national laws, rules, codes, and regulations relating to the use of this device in any particular application are satisfied. Make sure that all legal requirements have been met and that all installation, operation, and maintenance instructions contained in the device documentation are followed.

U.S. Application Standards

ANSI B11.0 Safety of Machinery: General Requirements and Risk Assessment

ANSI B11.19 Performance Criteria for Safeguarding

ANSI NFPA 79 Electrical Standard for Industrial Machinery

International/European Standards

EN ISO 12100 Safety of Machinery – Basic Concepts, General Principles for Design

EN 60204-1 Electrical Equipment of Machines Part 1: General Requirements

EN ISO 13849-1 Safety-Related Parts of Control Systems

EN 13855 (EN 999) The Positioning of Protective Equipment in Respect to Approach Speeds of Parts of the Human Body

EN 574 Two-Hand Control Devices – Functional Aspects – Principles for Design

(also request a type "C" standard for your specific machinery.)

Sources of Standards and Regulations

OSHA Documents: www.osha.gov (Tel: 202-512-1800)

American **National Standards Institute** (ANSI): www.ansi.org (Tel: 212-642-4900)

Robotics Industries Association (RIA): www.robotics.org (Tel: 734-994-6088)

National Fire Protection Association (NFPA): www.nfpa.org (Tel: 800-344-3555)

NSSN **National Resource for Global Standards** : www.nssn.org (Tel: 212-642-4980)



IHS Standards Store: www.global.ihs.com (Tel: 303-397-7956, 800-854-7179)

Document Center: www.document-center.com/home.cfm (Tel: 650-591-7600)

EU Declaration of Conformity (DoC)

Banner Engineering Corp. herewith declares that the AT-FM-10K Two-Hand Control Module is in conformity with the provisions of the Machinery Directive 2006/42/EC and all essential health and safety requirements have been met.

Representative in EU: Peter Mertens, Managing Director Banner Engineering Europe. Address: Park Lane, Culliganlaan 2F, 1831 Diegem, Belgium.

Overview

A DUO-TOUCH SG Two-Hand Control Safety Module (the “Module”) may be used with:

- Two Banner STB Self-Checking Optical Touch Buttons, each with one normally open and one normally closed relay output contact, or
- Two Banner STB Self-Checking Optical Touch Buttons, each with two current-sourcing PNP outputs, or
- Two electro-mechanical push buttons, each with one normally open and one normally closed contact (Form C contact)

If the machine operator removes one or both hands from the actuating device(s), the Module relays de-energize, causing the output contacts to open. The relays will not re-energize until both actuating devices are deactivated and then simultaneously reactivated.



WARNING: Point-of-Operation Guarding

When properly installed, a two-hand control device provides protection only for the hands of the machine operator. It may be necessary to install **additional** safeguarding, such as safety light screens, additional two-hand controls, and/or hard guards, to protect all individuals from hazardous machinery.

Failure to properly guard hazardous machinery can result in a dangerous **condition** which could lead to serious injury or death.

The Duo-Touch SG® Two-Hand Control Kit system complies with:

- Two-hand control and Control Reliability requirements per OSHA 29CFR1910.217, ANSI NFPA 79, ANSI B11.19, and ANSI/RIA R15.06,
- Type IIIC requirements of IEN 574 Safety of Machinery – Two-Hand Control Devices, and
- Safety-related applications up to Category 4 PL e, per EN ISO 13849-1 and SIL3 per IEC 61508 and EN 62061.

The Safety Module’s output signal consists of two sets of redundant, forced-guided (mechanically linked) contacts (see wiring diagrams). Circuitry within the Safety Module monitors these internal contacts and prevents an output signal from occurring if a fault is detected. A feedback loop is offered for monitoring the status of the machine control elements.

LED Indicators

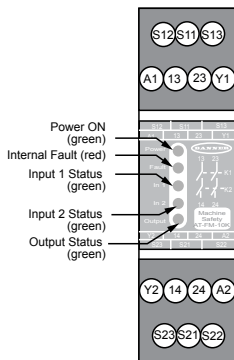


Figure 1. Status indicators and terminal locations

LED	ON	OFF	Flashing
Power ON	Power is applied	No power	—
Fault	Simultaneity is not met or External wiring fault	—	Internal fault condition is detected
Input 1 Status and Input 2 Status	Touch button is activated	Button is not activated	External wiring fault is detected
Output Status	Both relays (K1 and K2) are energized	—	Feedback error

Module Operation



CAUTION: Not an Anti-Repeat Control Device

Anti-repeat control is not a **function** of this Two-Hand Control Safety Module. The user of this device must provide a suitable means of accomplishing anti-repeat control for any single-stroke or single-cycle machine.

The Two-Hand Control Safety Module may be used as an initiation device for most powered machinery when machine cycling is controlled by a machine operator.

Using a two-hand control system makes the operator a “hostage” while the hazard is present, thus limiting or preventing exposure to the hazard. The two-hand control actuators must be located in a way that hazardous motion is completed or stopped before the operator can release one or both of the buttons and reach the hazard (see Separation Distance).

The Safety Module’s safety inputs are used to monitor the actuation of the hand controls to comply with the functionality of Type III requirements of EN 60204-1 and EN 574 (Type IIIa/Cat 4) and the requirements of ANSI NFPA79 and ANSI B11.19 for two-hand control, which include:

- Concurrent (simultaneous) actuation by both hands within a 500 ms time frame
- Where this time limit is exceeded, a requirement that both hand controls must be released before operation is initiated
- Continuous actuation during hazardous condition
- Cessation of hazardous condition if either hand control was released
- Release and re-actuation of both hand controls to re-initiate the hazardous motion or condition (i.e., “anti-tie down”)
- The appropriate performance level of the safety-related function (e.g., Control Reliability, Category/Performance Level, or SIL) as determined by a risk assessment or the applicable regulation and standards.

In addition, the Safety Module logic will not permit the safety outputs to turn ON when power is initially supplied and if the hand controls (actuators) are in their Run state (e.g. both actuators tie-down). The hand controls must change to their Stop state and return to the Run state before the safety outputs can turn ON.

The actuating devices must be protected from accidental or unintended operation. This can be accomplished by their mounting position and/or through the use of protective shields such as rings, guards or shields; see Mechanical Installation.

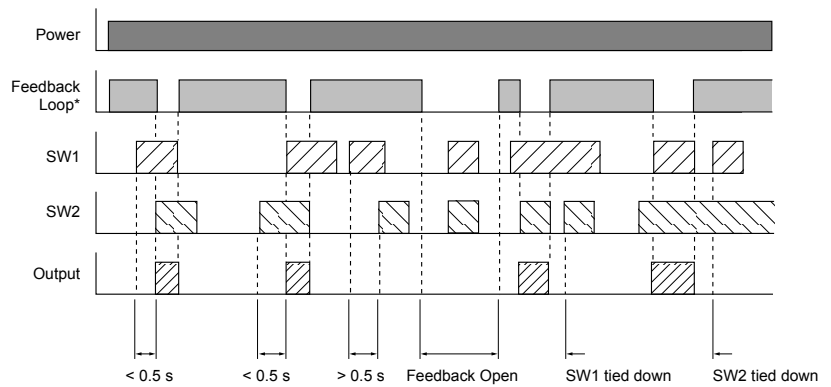


Figure 2. Model AT-FM-10K timing logic

Part- and Full-Revolution Clutched Machinery

When used on **part-revolution** clutched machinery that can be stopped at any point during the cycle, the Safety Module can be used for the following function types: “inch” (jog), “single-stroke,” or “continuous” (run).

When used on **full-revolution** clutched machinery (that can not be stopped until the end of the cycle), the Safety Module is used to initiate the cycle and is known as a “two-hand trip device.”

In either situation, the hand controls must be safely located and protected from false operation (see Mechanical Installation and Separation Distance) and the Safety Module must be appropriately interfaced to the machine (see Electrical Installation).

When used in single-cycle or single-stroke mode, the machine control must provide an anti-repeat feature so that the operator must release the two-hand control actuators after each machine cycle, before a new cycle can be initiated.



Note: Two-hand control and two-hand trip safeguarding protect *only the operator's hands*. Additional safeguarding (e.g., additional two-hand controls) may be required. Refer to the relevant standards for **additional** requirements.

Mechanical Installation

Install the Safety Module inside an enclosure rated NEMA 3 (IEC IP54), or **better**. It is not designed for exposed wiring. The Module mounts directly onto a standard 35 mm DIN rail.

Heat Dissipation Considerations

For reliable operation, ensure that the operating specifications are not exceeded. The enclosure must provide adequate heat dissipation, so that the air closely surrounding the Module does not exceed the maximum operating temperature stated in the Specifications. Methods to reduce heat build-up include venting, forced airflow (for example, exhaust fans), adequate enclosure exterior surface area, and spacing between modules and other sources of heat.

Installation of Hand Controls



CAUTION: Hand Controls

The environment in which hand controls are installed must not adversely **affect** the means of **actuation**. Severe contamination or other environmental influences may cause slow response or false On conditions of mechanical or ergonomic buttons. This may result in exposure to a hazard.



CAUTION: Install Hand Controls to Prevent Accidental Actuation

Total protection for the two-hand control system from defeat is not possible. However, the user is required by U.S. and **International** standards to arrange and protect hand controls to minimize the possibility of defeat or accidental **actuation**.

Each actuating device requires a normally open and a normally closed (e.g., Form C or SPDT) hard contact, each capable of reliably conducting 25 mA at 24 V dc (nominal). For complementary PNP operation, model STBVP.. touch buttons must be used to ensure proper functionality.

Standards require that the actuating devices be mounted to protect them from accidental or unintentional operation. Use shields, covers, rings, collars, dividers, or similar protection to prevent accidental switch actuation and to discourage use of forearms or elbows. European standard EN 574 includes a detailed discussion of approaches to protection of hand controls.

The installation of the hand controls must also consider:

- Failure modes that would result in a short circuit, a broken spring(s), mechanical seizure, etc. that would result in not detecting the release of a hand control.
- Severe contamination or other environmental influences that may cause slow response when released or false ON condition of the hand control(s), e.g., sticking of a mechanical linkage.

The hand controls must be arranged far enough apart so that the operator cannot operate both hand controls by the use of one arm. Typically, this distance is not less than 550 mm/21.7 inches in a straight line, but using guards or alternate mounting arrangement can allow shorter distances, per EN 574. This standard also recommends that the hand controls be arranged on a horizontal (or nearly horizontal) surface that is 1,100 mm/43.3 inches above the floor for ergonomic purposes.

When installing the hand controls, consider ergonomic principles, in order to avoid unnecessary user fatigue. See EN 574 Two-Hand Control, ANSI B11.TR1 – Ergonomic Guidelines, and EN 894, Safety of Machinery – Ergonomic Requirements – Control Actuators for further information.

The figure shows two examples for mounting Banner's STB Touch Buttons. When mounted on top of the control bar, the protective field covers should be in place, as shown. For added protection, mount the devices sideways under and behind a protective hood, rather than on top of the bar, leaving the field covers off. This side mount reduces the possibility of the operator easily positioning and leaving an object in the path of the beam, intentionally bypassing the safeguard.

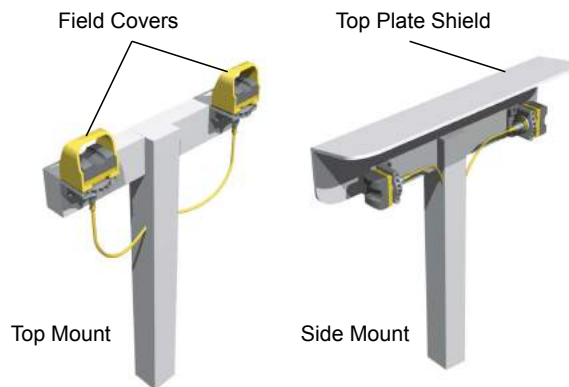


Figure 3. Install activation devices so that they are protected to prevent defeat or inadvertent actuation (Banner STB Touch Buttons shown)

Requirements for **Multiple-Operator** Control

Standards have specified several conditions for situations where multiple operators work together to control one machine:

- Each operator must actuate his/her own pair of actuating devices, with all pairs of actuators active at one time, in order to initiate a machine cycle; the machine may not be allowed to operate until this condition is true
- The actuators all must be released between cycles
- The actuation and de-actuation of all workstations requiring two-hand control must be supervisable and must provide indication
- The clutch/brake control system must be designed so that the clutch cannot be actuated if all the operating workstations are bypassed

*It is the user's responsibility to determine if this two-hand control system can be interfaced to the machine in a manner to **satisfy** all **existing** requirements for **multiple-operator** control.*

Two-Hand Control Safety Distance (Minimum Distance)



WARNING: Location of Touch Button Controls

Hand controls must be mounted a safe distance from moving machine parts, as determined by the appropriate standard. It must not be possible for the operator or other non-qualified persons to relocate them. Failure to establish and maintain the required safety distance may result in serious injury or death.

U.S. Applications

The Safety Distance formula, as provided in ANSI B11.19:

Part-Revolution Clutch Machinery (the machine and its controls allow the machine to stop motion during the hazardous portion of the machine cycle)

$$D_S = K \times (T_S + T_R + T_H)$$

For **Full-Revolution Clutch Machinery** (the machine and its controls are designed to complete a full machine cycle)

$$D_S = K \times (T_M + T_R + T_H)$$

D_S

the Safety Distance (in inches)

K

the OSHA/ANSI recommended hand-speed constant (in inches per second), in most cases is calculated at 63 in/sec, but may vary between 63 in/sec to 100 in/sec based on the application circumstances;

not a conclusive determination; consider all factors, including the physical ability of the operator, when determining the value of K to be used

T_H

the response time of the slowest hand control from the time when a hand disengages that control until the switch opens;

T_H is usually insignificant for purely mechanical switches. However, T_H should be considered for safety distance calculation when using electronic or electromechanical (powered) hand controls. For Banner Self-checking Touch Buttons (STBs) the response time is 0.02 seconds

T_M

the maximum time (in seconds) the machine takes to cease all motion after it has been tripped. For full revolution clutch presses with only one engaging point, T_M is equal to the time necessary for one and one-half revolutions of the crankshaft. For full revolution clutch presses with more than one engaging point, T_M is be calculated as follows:

$$T_M = (1/2 + 1/N) \times T_{CY}$$

N = number of clutch engaging points per revolution

T_{CY} = time (in seconds) necessary to complete one revolution of the crankshaft

T_R

the response time of the Safety Controller as measured from the time a stop signal from either hand control. The Safety Controller response time is obtained from the Configuration Summary in the PC Interface.

T_S

the overall stop time of the machine (in seconds) from the initial stop signal to the final ceasing of all motion, including stop times of all relevant control elements and measured at maximum machine velocity

T_S is usually measured by a stop-time measuring device. If the specified machine stop time is used, add at least 20% as a safety factor to account for brake system deterioration. If the stop-time of the two redundant machine control elements is unequal, the slower of the two times must be used for calculating the separation distance

European Applications

The Minimum Distance Formula, as provided in EN 13855:

$$S = (K \times T) + C$$

S

the Minimum Distance (in millimeters)

K

the EN 13855 recommended hand-speed constant (in millimeters per second), in most cases is calculated at 1600 mm/sec, but may vary between 1600 to 2500 mm/sec based on the application circumstances;

not a conclusive determination; consider all factors, including the physical ability of the operator, when determining the value of K to be used.

T

the overall machine stopping response time (in seconds), from the physical initiation of the safety device to the final ceasing of all motion

C

the added distance due to the depth penetration factor equals 250 mm, per EN 13855. The EN 13855 C factor may be reduced to 0 if the risk of encroachment is eliminated, but the safety distance must always be 100 mm or greater

Electrical Installation

It is not possible to give exact wiring instructions for a Safety Module that interfaces to a multitude of machine control configurations. The following guidelines are general in nature.

The Safety Module has no delay function. Its output relay contacts open within 35 milliseconds after a safety input opens. This classifies the Safety Module as functional stop “Category 0”, as defined by NFPA 79 and IEC/EN 60204-1.



WARNING: Risk Assessment

The level of safety circuit integrity can be greatly affected by the design and installation of the safety devices and the means of interfacing of those devices. A risk assessment must be performed to determine the appropriate level of safety circuit integrity to ensure the expected risk **reduction** is achieved and all relevant **regulations** and standards are complied with.



CAUTION: Shock Hazard

Always disconnect power from the Banner device and the guarded machine before making any connections or replacing any component. Use extreme **caution** to avoid electrical shock at all **times**.

Connecting Power to the Safety Module

The Safety Module requires a 24 V ac/dc supply voltage (see Specifications). Use extreme caution when installing ac power. Use a minimum of 16 to 18 AWG wire for power and output connections. Use a minimum of 20 AWG wire for all other terminal connections. A hand-operated supply disconnect and over-current protection (e.g., a circuit breaker) must be provided per ANSI NFPA79 and IEC/EN60204-1.

Connecting Input Switches (Hand Control Actuators)

Connect the actuation devices to the Module as shown in the following wiring diagrams. SW1 and SW2 must both have normally open and normally closed output contacts, or two current-sourcing complementary outputs each, all capable of reliably switching 25 mA at 24V dc (nominal). If hand controls have metal housings, the housings must be connected to protective earth ground.

If STB Touch **Buttons** with PNP outputs are used, the **entire** STB/AT-FM-10K system must be supplied with 24V dc. Electronic actuation devices, including STB Touch Buttons, must share the same voltage supply with the Safety Module.



WARNING: Use of Electronic Hand Controls

Electronic (powered) hand controls include optical touch buttons, capacitive touch buttons and similar devices. When electronic hand controls are used as input switches for a Safety Module, the hand controls and the Safety Module must be powered from the same voltage source. Failure to do so creates a **potentially** dangerous **condition**, which may result in serious injury or death.

If power is applied to the Safety Module before power is applied to the electronic hand controls, an output from the Safety Module could result and may trigger machine motion. Also, electronic hand controls cannot guarantee the state of their outputs at the time power is applied to them.

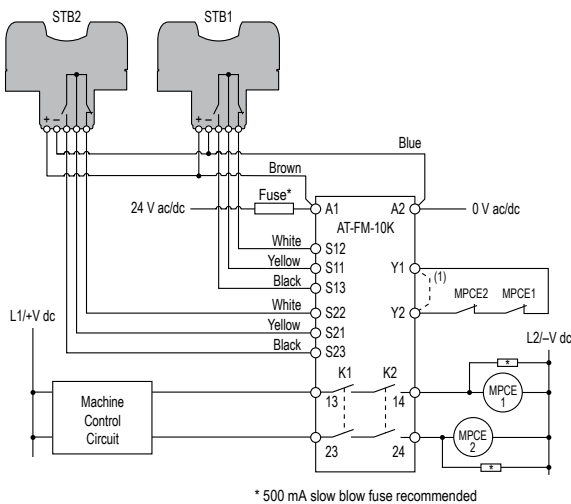


Figure 4. Connection to two STB Touch Buttons with contact outputs

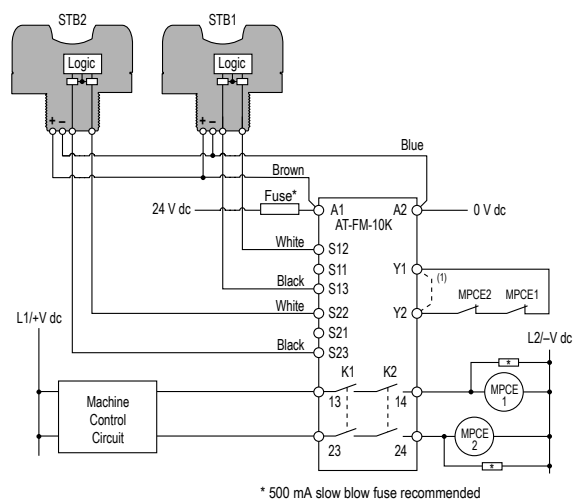
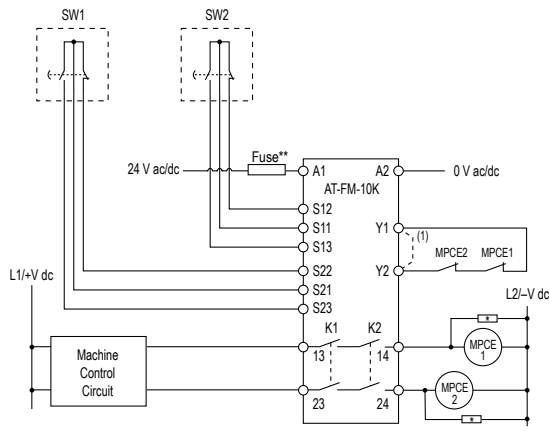


Figure 5. Connection to two STB Touch Buttons with PNP (sourcing) outputs



WARNING: Interfacing Safety Outputs
 NEVER wire or interface an intermediate device (for example, PLC, PES, PC) that can fail in such a manner that there is a loss of the safety stop command to the MPCEs.
 Doing so may result in serious bodily injury or death.



* Arc Suppressor – See Warning
 (1) See Warning about Interfacing Safety Outputs
 ** 500 mA slow blow fuse recommended

Figure 6. Connection to two mechanical push buttons with contact outputs



WARNING: Wiring of Arc Suppressors
 If arc suppressors are used, they MUST be installed as shown across the actuator coil of the stop control elements (MSCs or MPCEs). NEVER install suppressors directly across the output contacts of the Safety Device or Module. It is possible for suppressors to fail as a short circuit. If installed directly across the output contacts, a short-circuited suppressor creates an unsafe **condition** which may result in serious injury or death.

Connecting to the Guarded Machine



WARNING: Interfacing MSCs
 Do not wire an intermediate device(s) (for example, PLC, PES, PC) between the Safety Module outputs and the Master Stop Control Element it switches in such a manner that in the event of a failure there is a loss of the safety stop command, or in such a manner that the safety function can be suspended, overridden, or defeated, unless accomplished with the same or greater degree of safety.
 Whenever forced-guided, mechanically linked relays are added as intermediate switching devices, a normally closed (N.C.) forced-guided monitor contact from each relay must be added to the series feedback loop between Safety Module terminals S31 and S32.

The wiring diagrams show a generic connection of the Safety Module’s redundant output contacts to machine primary control elements MPCE1 and MPCE2. An MPCE is defined as an electrically-powered element, external to the Safety Module, which directly controls the machine’s normal operating cycle so that it is the last (in time) to operate when the cycle is either initiated or arrested. Some older machines offer only one MPCE; for such machines, it may be necessary to add a second MPCE to establish the appropriate level of safety integrity (e.g., control reliability).

The connection of the safety outputs must be in such a manner that the stop command issued by the Safety Module can not be overridden by a device or circuit that is not at the same level of safety integrity. This means that the safety outputs are interfaced on the output of the machine logic (e.g., PLC or PC). Then, normally, a feedback signal identifies to the machine logic the status of the Safety Module and, if possible, the status of the MPCEs.

In summary, Control Reliability (OSHA 29CFR1910.217, ANSI B11, and ANSI/RIA R15.06) and Category 3 and 4 (EN ISO 13849-1) requirements demand that a single failure does not lead to the loss of the safety function, or does not prevent a normal or immediate stop from occurring. The failure or the fault must be detected at or before the next demand of safety (e.g., at the beginning or end of a cycle, or when a safeguard is actuated). The safety-related function of the machine control then must issue an immediate stop command or prevent the next machine cycle or hazardous situation until the failure or fault is corrected.

External Device Monitoring

To satisfy the requirements of Control Reliability (OSHA and ANSI) and Category 3 and 4 of EN ISO 13849-1, the machine primary control elements (MPCEs) must each offer a normally closed, forced-guided (mechanically linked) monitor contact. Connect one normally closed monitor contact from each master stop control element in series to Y1 and Y2 (see wiring diagrams).

In operation, if one of the switching contacts of either MPCE fails in the energized condition, the associated monitor contact will remain open. Therefore, it will not be possible to reset the Safety Module. If no MPCE-monitor contacts are monitored, a jumper must be installed between terminals Y1 and Y2 (dotted line), as shown in the hookup drawings. It is the user’s responsibility to ensure that any single failure will not result in a hazardous **condition** and will prevent a successive machine cycle.

Overvoltage Category II and III Installations (EN 50178 and IEC 60664-1)

The Safety Module is rated for Overvoltage Category III when voltages of 1 V to 150 V ac/dc are applied to the output relay contacts. It is rated for Overvoltage Category II when voltages of 151 V to 250 V ac/dc are applied to the output relay contacts and no additional precautions are taken to attenuate possible overvoltage situations in the supply voltage. The Module can be used in an Overvoltage Category III environment (with voltages of 151 V to 250 V ac/dc) if care is taken either to reduce the level of electrical disturbances seen by the Module to Overvoltage Category II levels by installing surge suppressor devices (for example, arc suppressors), or to install extra external insulation in order to isolate both the Safety Module and the user from the higher voltage levels of a Category III environment.

For Overvoltage Category III installations with applied voltages from 151 V to 250 V ac/dc applied to the output contact(s): the Safety Module may be used under the conditions of a higher overvoltage category where appropriate overvoltage reduction is provided.

Appropriate methods include:

- An overvoltage protective device
- A transformer with isolated windings
- A distribution system with multiple branch circuits (capable of diverting energy of surges)
- A capacitance capable of absorbing energy of surges
- A resistance or similar damping device capable of dissipating the energy of surges

When switching inductive ac loads, it is good practice to protect the Safety Module outputs by installing appropriately-sized arc suppressors. However, if arc suppressors are used, they must be installed across the load being switched (for example, across the coils of external safety relays), and never across the Safety Module's output contacts (see WARNING, Arc Suppressors).

Troubleshooting and Maintenance

Initial Checkout Procedure

To perform the **initial** checkout, it is necessary to view the red Fault LED and the four green status indicators: Power, Input 1, Input 2 and Output. Proceed with **caution** around open wiring.



CAUTION: Disconnect Power Prior to Checkout

Before performing the **initial** checkout procedure, make certain all power is disconnected from the machine to be controlled.

Dangerous voltages may be present along the Safety Module wiring barriers whenever power to the machine control elements is On. Exercise extreme **caution** whenever machine control power is or may be present. Always disconnect power to the machine control elements before opening the enclosure housing of the Safety Module.



WARNING: EDM Monitoring

If the System is **configured** for "No Monitoring," it is the user's responsibility to ensure that this does not create a hazardous **situation**.

1. Verify that the two actuating devices are properly connected to the Module.
2. Apply power to the Safety Module and to the actuating devices, if applicable.
3. Verify that only the Power indicator is ON. If any of the other Safety Module indicators are ON, disconnect the power to the Safety Module and check all wiring. Do not continue this checkout procedure until the cause of the problem is corrected.
4. Activate both hand controls simultaneously (within 0.5 seconds), and hold them engaged. Input 1 and Input 2 indicators should come ON. Release both hand controls simultaneously. Output indicator should go OFF.
5. Again, activate the two hand controls simultaneously, and hold them engaged. Input 1, Input 2, and Output indicators should come ON. Release one hand control, while holding the other engaged. One of the indicators should remain ON. The Output indicator should go OFF. Re-activate the hand control which was just released. The Output indicator should remain OFF. Release both hand controls. Input 1 and Input 2 indicators should then be OFF.
6. Activate only one hand control and hold it engaged. Input 1 (Input 2) indicator should come ON. After more than 1/2 second, activate the second hand control. Input 1 and 2 indicators should remain ON, while Output indicator remains OFF.
7. Remove power from the Safety Module and disconnect the monitor contact feedback loop at terminals Y1 and/or Y2. Re-apply power to the Safety Module. Activate both hand controls simultaneously. Output indicator LED should remain OFF.

If the Safety Module passes all of these tests, reconnect the output wires at terminals 13/14 and 23/24. Do not **attempt** to use the Safety Module **until** all of the tests are passed.

Daily Checkout Procedure

*To be Performed at every Power-up, **Shift** Change, and Tooling/Machine Setup Change*

The daily checkout must be performed by a Designated Person, appointed and **identified** in **writing** by the employer, or by a **Qualified** Person (see below).

**WARNING: EDM Monitoring**

If the System is **configured** for “No Monitoring,” it is the user’s responsibility to ensure that this does not create a hazardous **situation**.

1. Verify that all point-of-operation guards are in place and operating properly.
2. Verify that the two actuating devices must be simultaneously engaged to actuate the machine.
3. For single-cycle machines: Verify that maintained engagement of the two actuating devices results in only one machine cycle.

For **part-revolution** clutch machinery: Verify that release of either actuating device results in the immediate arrest of the machine motion.

4. Verify that the distance from each actuating device to the closest hazard point is not less than the calculated safety distance.

Semi-Annual Checkout Procedure

To be Performed at Six-Month Intervals

This semi-annual checkout must be performed by a **Qualified Person** (a person who, by possession of a recognized degree or **certificate** of professional training, or who, by extensive knowledge, training, and experience, has successfully demonstrated the ability to solve problems **relating** to the **installation**, maintenance and use of the Safety System). Keep a copy of the test results on or near the machine.

**WARNING: EDM Monitoring**

If the System is **configured** for “No Monitoring,” it is the user’s responsibility to ensure that this does not create a hazardous **situation**.

1. Perform the daily checkout procedure.
2. Perform the initial checkout procedure.
3. Calculate the separation distance, and verify that the actuating devices are far enough away from the nearest hazard point. Relocate the actuating devices, if necessary.
4. Verify that the actuating devices are positioned to require the use of both hands for operation, and are protected from false or inadvertent operation.
5. Inspect the machine controls and the connections to the Safety Module to ensure that wiring is correct and that no modifications have been made which could adversely affect the System.

Repairs

NOTE: Do not attempt any repairs to the Safety Module. It contains no field-replaceable components. Return it to the factory for warranty repair or replacement.

**CAUTION: Abuse of Module After Failure**

If an internal fault has occurred and the Module will not reset, do not tap, strike, or otherwise **attempt** to correct the fault by a physical impact to the housing. An internal relay may have failed in such a manner that its replacement is required.

If the Module is not immediately replaced or repaired, **multiple** simultaneous failures may accumulate such that the safety **function** can not be guaranteed.

If it becomes necessary to return a Safety Module to the factory:

1. Contact Banner Factory Application Engineering at the address or at the numbers listed in this document. They will attempt to troubleshoot the system from your description of the problem. If they conclude that a component is defective, they will issue an RMA (Return Merchandise Authorization) number for your paperwork, and give you the proper shipping address.
2. Pack the component carefully. Damage which occurs in return shipping is not covered by warranty.

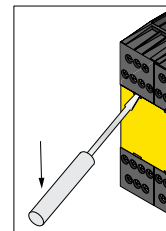


Figure 7. To remove a terminal block, insert a small screwdriver into the slot as shown; pry to loosen

Specifications

Supply Voltage

24 V dc ±15% at 150 mA (use a SELV-rated supply according to EN IEC 60950, NEC Class 2)

24 V ac ±15% at 150 mA, 50-60 Hz +/- 5% (use an NEC Class 2-rated transformer)

To comply with UL and CSA standards, the installation's isolated secondary power supply circuit must incorporate a method to limit the overvoltage to 0.8 kV. The use of a 500 mA slow blow fuse in series with the +24 V ac/dc is highly recommended. The AT-FM-10K does not contain an internal fuse.

Supply Protection Circuitry

Protected against transient voltages and reverse polarity

Output Configuration



Each normally open output channel is a series connection of contacts from two forced-guided (mechanically linked) relays, K1-K2.

Contacts: AgNi, 5 µm gold-plated

Low Current Rating: The 5 µm gold-plated contacts allow the switching of low current/low voltage. In these low-power applications, multiple contacts can also be switched in series (e.g., "dry switching"). To preserve the gold plating on the contacts, do not exceed the following max. values at any time:

	Minimum	Maximum
Voltage	1 V ac/dc	60 V
Current	5 mA ac/dc	300 mA
Power	5 mW (5 mVA)	7 W (7 VA)

High Current Rating: If higher loads must be switched through one or more of the contacts, the minimum and maximum values of the contact(s) changes to:

	Minimum	Maximum
	Voltage	15 V ac/dc
	Current	30 mA ac/dc
	Power	0.45 W (0.45 VA)
	Voltage	250 V ac / 24 V dc, 6 A resistive
	Current	30 mA ac/dc
	Power	IEC 60947-5-1: AC15: 230 V ac, 3 A; DC-13: 24 V dc, 2 A

Mechanical life: 20,000,000 operations

Electrical life (switching cycles of the output contacts, resistive load): 150,000 cycles at 900 VA; 1,000,000 cycles at 250 VA; 2,000,000 cycles at 150 VA; 5,000,000 cycles at 100 VA

Operating Conditions

0 °C to +50 °C (+32 °F to +122 °F) See "Heat Dissipation Considerations."
90% at +50 °C maximum relative humidity (non-condensing)

Overvoltage Category

Output relay contact voltage of 1 V to 150 V ac/dc: Category III

Output relay contact voltage of 151 V to 250 V ac/dc: Category II (Category III, if appropriate overvoltage reduction is provided, as described in this document.)

Output Response Time

35 milliseconds maximum

Input Requirements

Outputs from actuating devices must each be capable of switching 25 mA at 24V dc (nominal).

Status Indicators

4 green LED indicators: Power ON, Input 1 energized, Input 2 energized, Output
1 red LED indicator: Fault

Construction

Polycarbonate housing. Rated IEC IP20

Mounting

Mounts to standard 35 mm DIN rail track. Safety Module must be installed inside an enclosure rated NEMA 3 (IEC IP54), or better.

Simultaneity Monitoring Period

≤ 500 milliseconds

Pollution Degree

2

Vibration Resistance

10 to 55 Hz at 0.35 mm displacement per IEC 60068-2-6

Safety Ratings

Category 4 PLe per EN ISO 13849-1; MTTFd = 100 years

SIL 3 per IEC 61508; PFHd = 1.54 x 10⁻⁹

SIL CL 3 per IEC 62061

Type IIIc per EN 574 (when used with STBs or hard contacts)

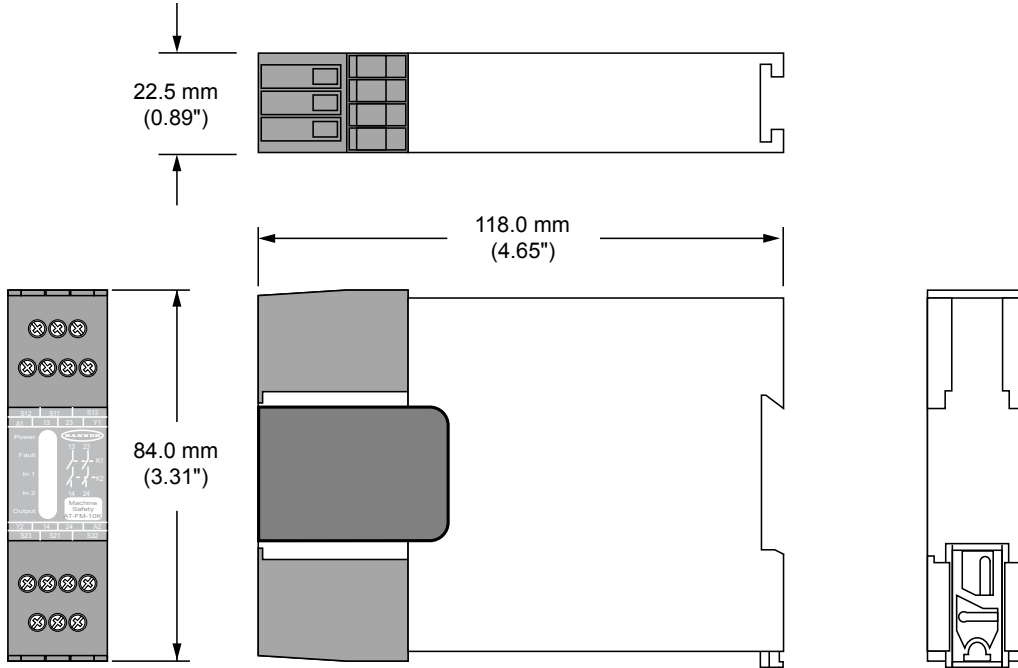
Certifications



B10d Values

Voltage (V)	Current (A)	B10d
230 AC	2	100,000
230 AC	1	600,000
230 AC	0.5	1,300,000
24 DC	≤ 2	10,000,000

Dimensions



All measurements are listed in millimeters [inches], unless noted otherwise.

Banner Engineering Corp. Limited Warranty

Banner Engineering Corp. warrants its products to be free from defects in material and workmanship for one year following the date of shipment. Banner Engineering Corp. will repair or replace, free of charge, any product of its manufacture which, at the time it is returned to the factory, is found to have been defective during the warranty period. This warranty does not cover damage or liability for misuse, abuse, or the improper application or installation of the Banner product.

THIS LIMITED WARRANTY IS EXCLUSIVE AND IN LIEU OF ALL OTHER WARRANTIES WHETHER EXPRESS OR IMPLIED (INCLUDING, WITHOUT LIMITATION, ANY WARRANTY OF MERCHANTABILITY OR FITNESS FOR A PARTICULAR PURPOSE), AND WHETHER ARISING UNDER COURSE OF PERFORMANCE, COURSE OF DEALING OR TRADE USAGE.

This Warranty is exclusive and limited to repair or, at the discretion of Banner Engineering Corp., replacement. IN NO EVENT SHALL BANNER ENGINEERING CORP. BE LIABLE TO BUYER OR ANY OTHER PERSON OR ENTITY FOR ANY EXTRA COSTS, EXPENSES, LOSSES, LOSS OF PROFITS, OR ANY INCIDENTAL, CONSEQUENTIAL OR SPECIAL DAMAGES RESULTING FROM ANY PRODUCT DEFECT OR FROM THE USE OR INABILITY TO USE THE PRODUCT, WHETHER ARISING IN CONTRACT OR WARRANTY, STATUTE, TORT, STRICT LIABILITY, NEGLIGENCE, OR OTHERWISE.

Banner Engineering Corp. reserves the right to change, modify or improve the design of the product without assuming any obligations or liabilities relating to any product previously manufactured by Banner Engineering Corp. Any misuse, abuse, or improper application or installation of this product or use of the product for personal protection applications when the product is identified as not intended for such purposes will void the product warranty. Any modifications to this product without prior express approval by Banner Engineering Corp will void the product warranties. All specifications published in this document are subject to change. Banner reserves the right to modify product specifications or update documentation at any time. Specifications and product information in English supersede that which is provided in any other language. For the most recent version of any documentation, refer to: www.bannerengineering.com.