

TL30 Basic



30 mm Multicolor General-Purpose or Audible Tower Lights

- Slim design, affordable, and easy-to-install multi-segment Tower Lights
- Illuminated segments provide easy-to-see operator guidance and indication of equipment status
- Devices are completely self-contained, no controller needed
- No assembly required, mounting nut and gasket supplied



Slim housing with operator friendly light output

Clear status indication for small machines and equipment



Models with 2, 3, 4, and 5 segments plus audible



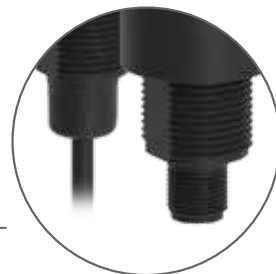
90 dB @ 1 meter

IP65 housing for use in industrial and outdoor environments

Compact 30 mm diameter



Lights appear gray when OFF, eliminating false indication



Cable pigtail and QD connections available

Challenge

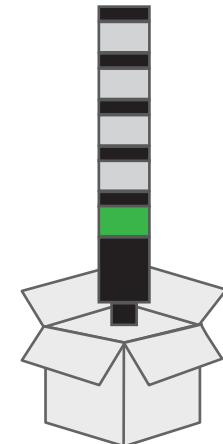
- Operators standing close to the machine need to be alerted to changes in status
- Larger tower lights with a brighter light output can strain the eyes if a worker stands in close proximity for long periods of time

Solution

- The TL30 tower light displays machine status with a clearly visible but comfortable light output that workers can be nearby for extended periods of time
- The slim 30 mm diameter is suitable for a wide range of machines, including equipment where space is limited
- Uniform indicator segments appear gray when off, eliminating false indication from ambient light



Light segments can be laser marked with custom text or images



Ready to use right out of the box



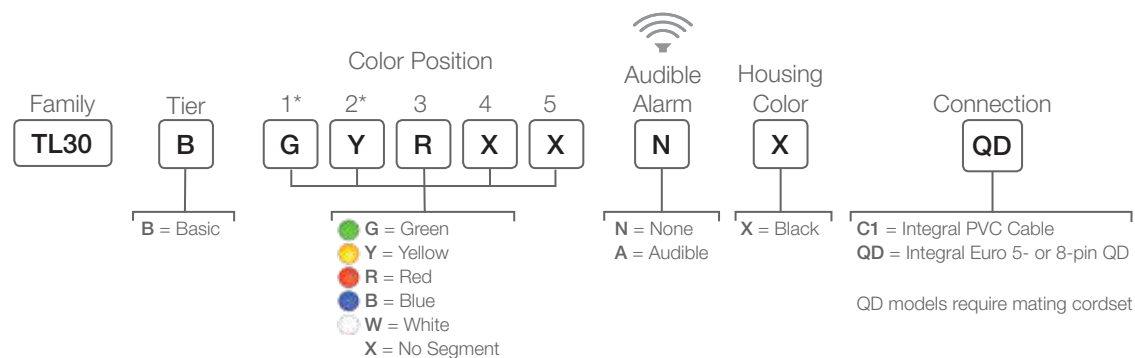
Banner's Complete Tower Light Lineup



TL70
Modular 70 mm design provides solutions with wireless options, multicolor segments and multifunction audible segments

TL50
Sealed 50 mm design with advanced IO-Link functionality and three segment styles delivers versatility for all applications

TL30
Slim 30 mm design provides clear, comfortable light for small machines, dense and close-range installations



* Position 1 and 2 can not be X = No Segment

Accessories

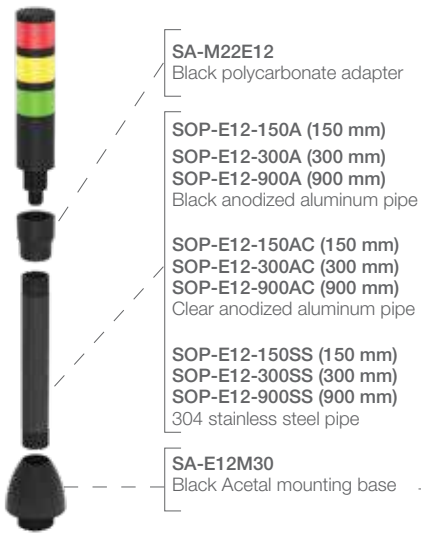
Mounting Brackets



Specifications

Supply Voltage	12 to 30 V dc Maximum current per LED segment: 40 mA Omni-Directional Sealed Audible Alarm: 20 mA maximum current
Construction	Base, Segments and Audible: UV stabilized polycarbonate Grommet: TPV Mounting Nut: PBT Sealing Gasket: PVC/NBR/CR
Environmental Rating	UL Type 4X when mounted in suitable enclosure Non-Audible: IEC IP65 Sealed Audible: IEC IP65
Operating Temperature	-40 to +50 °C (-40 to +122 °F) 90% maximum relative humidity (non-condensing)
Certifications	CE UL LISTED

Elevated Mount System



Sealed Right-Angle Brackets



Flush Foldable Bracket for use with elevated mount systems



Cordsets



5-Pin M12/Euro-Style
Straight connector models listed;
for right-angle models, add RA to
the end of model number
(example, MQDC1-506RA)

MQDC1-506
2 m (6.5')
MQDC1-515
5 m (15')
MQDC1-530
9 m (30')

8-Pin M12/Euro-Style
Straight connector models listed;
for right-angle models, add RA to
the end of model number (example,
MQDC2S-806RA)

MQDC2S-806
2 m (6.5')
MQDC2S-815
5 m (15')
MQDC2S-830
9 m (30')



PN 207500 rev. B

© 2018 Banner Engineering Corp. Minneapolis, MN USA

1-888-373-6767

www.bannerengineering.com

